

Hydraulic Rotary Rig

SR-30 EVO

2017



soilmec 
Drilling and Foundation Equipment

SR-30 EVO Hydraulic Rotary Rig

LDP APPLICATIONS - Cylinder crowd system



LDP - Large Diameter Piles - CCS version		
Operating weight w/o kelly	31900 kg	70327 lb
Max pile diameter along mast	1500 mm	59 in
Max pile diameter w/o lower mast section, tool below mast	3000 mm	118 ft
Max pile depth - friction kelly	56,9 m	187 ft
Max pile depth - locking kelly	45,4 m	149 ft
Max pile depth with mast extension kit - friction kelly	60 m	197 ft

SR-30 EVO Hydraulic Rotary Rig

LHR Low Head Room APPLICATIONS

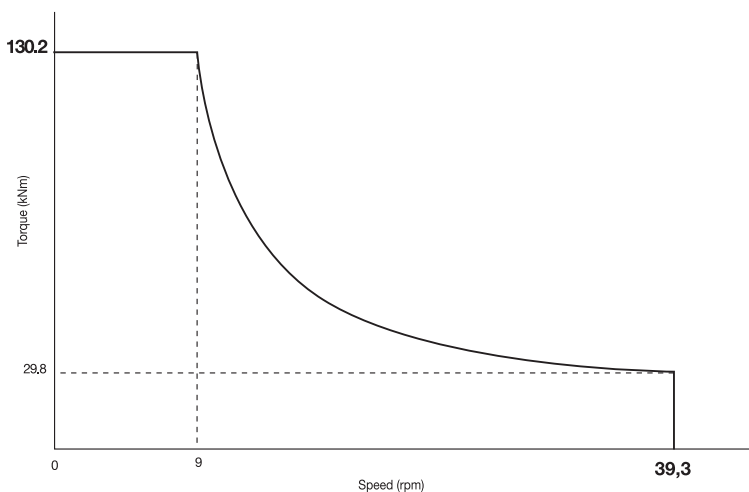
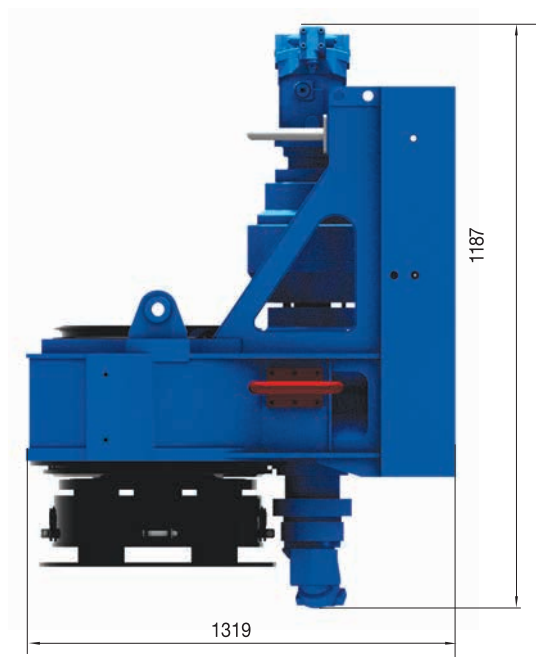
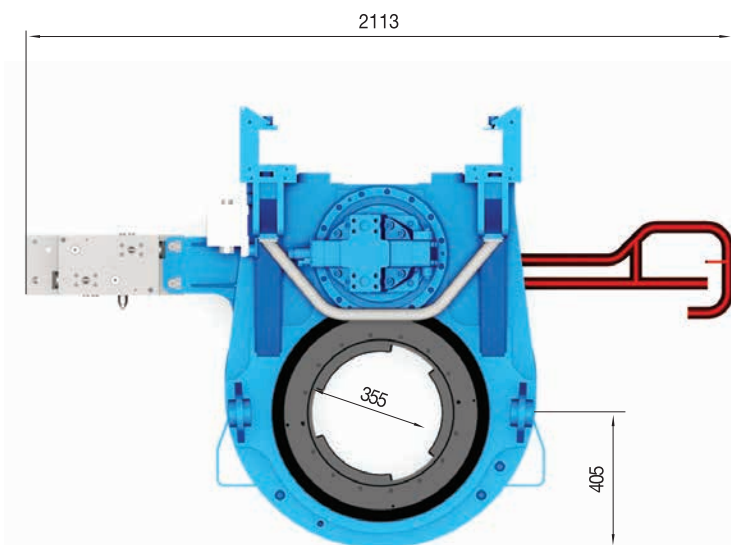


LHR_Low Head Room

Operating weight c/w 4x4 m kelly & additional cwt & shorter mast	33200 kg	73193 lb
Operating height shorter mast (1.3 mast ext.)	7,5 (8,8) m	25 (29) ft
Max pile diameter	1500 (3000) mm	59 (118) in
Max pile depth	23,3 m	76 ft
Crowd system stroke	2550 mm	100.39 in
Crowd force pull (down/up)	101/124 kN	22705/27876 lbf

SR-30 EVO Hydraulic Rotary Rig

ROTARY HEAD



Rotary drive

Max torque (intermittent)	130,2 kNm	96029 lbf·ft
Rated torque	113,4 kNm	83638 lbf·ft
Speed of rotation (max)	39,3 rpm	39.3 rpm
Spin-off speed	143 rpm	143 rpm

SR-30 EVO Hydraulic Rotary Rig

Safety equipment compulsory for EC marking
On request whenever EC marking is not needed

- Walkways for cab 600 mm (2 ft) wide
- Handrails kit
- Acoustic alarm for rotation and translation
- Radio remote control for tramming on ramp
- Video-camera set with 4 cameras included
- Rearview mirrors
- Led lights
- Oil discharge conveying system
- Load cell for service winch

SR-30 EVO Hydraulic Rotary Rig

TECHNICAL DATA SHEET

CCS - Cylinder Crowd System		
- Crowd force pull (down/up)	101 / 124 kN	22705 / 27876 lbf
- Stroke	3500 mm	138 in
- Speed up	19,4 m/min	64 ft/min
- Speed down	8,6 m/min	28 ft/min
Engine		
	Cummins QSB6.7	Cummins QSB6.7
- Rated output	168 kW @ 2200 rpm	225 HP @ 2200 rpm
- Engine conforms to Exhaust emission Standard	EU Stage IV - US EPA Tier 4f	EU Stage IV - US EPA Tier 4f
- Diesel tank capacity	350 l	92 US gal
Main winch		
	controlled descend	controlled descend
- Line pull (1st layer)	135 kN	30349 lbf
- Rope diameter	22 mm	740 in
- Line speed (max.)	79 m/min	258 ft/min
Auxiliary winch		
	controlled descend	controlled descend
- Line pull (1st layer)	65 kN	14612 lbf
- Rope diameter	18 mm	740 in
- Line speed (max.)	67 m/min	220 ft/min
Hydraulic system		
- Flow rates (main circuits)	2 x 176 l/min	2 x 46 US gal/min
- Flow rates (auxiliary circuits)	97 l/min	26 US gal/min
- Hydraulic oil tank capacity	380 l	100 US gal
Undercarriage		
	variable gauge, telescoping sides	variable gauge, telescoping sides
- Overall width of crawlers retracted	2550 mm	100 in
- Overall width of crawlers extended	3700 mm	146 in
- Width of triple grouser track shoes	600 mm	24 in
- Overall length of crawlers	4510 mm	178 in
- Traction force	290 kN	65193 lbf
- Travel speed	2,2 km/h	1.4 mph
Mast inclination (Backward/ Forward/Lateral)	10° / 4° / 3°	10° / 4° / 3°

STANDARD EQUIPMENT

- Main and auxiliary winch controlled descent type with special grooving
- Hoist limit switch on main and service rope
- Swivel for main rope
- Service rope parking point
- GSM/GPRS/GPS modem kit
- DMS system electronic monitoring and visualization system
- Mast inclination measurement on X/Y axes (digital/analog display)
- Automatic vertical mast alignment
- Depth measuring device
- Rotary speed measuring device
- Variable gauge undercarriage
- Wider triple grouser track shoes
- Transport securing lugs on crawler units
- Oscillator attachment brackets
- Lower foldable mast element
- Cardan joint
- Flange for casing driving
- Kelly swivel
- Kelly guide
- On board lighting set
- On board tool set
- Electric refuelling pump
- High comfortable Cab (950 mm wide with sliding doors)
- Protective roof grate (FOPS compliant)
- Adjustable console with sliding support for DMS 7" touch screen
- Engine and Diesel particulate diagnostic panel
- Ergonomic seat with hydraulic suspension
- Heat and Air Conditioning control unit
- Courtesy lights in the cab
- Radio and CD player
- Sliding door
- Auto low idle system

OPTIONAL EQUIPMENT

- Diesel Engine with EU Stage III A - US EPA Tier 3 motorization
- Automatic greasing kit
- Lubrifier pump kit for rotary pads cradle
- Flange for bucket opening
- Hydraulic prearrangement for casing oscillator
- Mast extension for special configuration
- Automatic hydraulic kit for upper mast folding
- Limit switch for rope winding and winches
- Free fall main and service winch
- Double roller auger cleaner
- Star auger cleaner
- Prearrangement for VTH-1
- Automatic mast raising kit
- Hydrocleaner kit
- Automatic return to centre hole
- DMS 12" touch screen
- Autorotary kit

SR-30 EVO Hydraulic Rotary Rig

KELLY DRILLING SYSTEM



Depth

Drilling Depths	Kelly dimensions section x m	Depth		Weight		CCS SYSTEM H	
		m	ft	ton	ton (US)	m	ft
3 parts	BL HD 3 x 7,5	19,4	63,6	2,9	3,2	5	16,4
	BL HD 3 x 9	24,2	79,4	3,4	3,7	5	16,4
	BL HD 3 x 11	29,4	96,5	4	4,4	4,6	15,1
	BL HD 3 x 12,5	33,8	110,9	4,4	4,9	3,1	10,2
4 parts	BL HD 4 x 7,5	25,6	84,0	2,9	3,2	5	16,4
	BL HD 4 x 9	32,3	106,0	3,4	3,7	5	16,4
	BL HD 4 x 11	38,7	127,0	4	4,4	4,7	15,4
	BL HD 4 x 12,5	45,4	149,0	4,4	4,9	3,1	10,2
	FR HD 4 x 7,5	25,6	84,0	2,9	3,2	5	16,4
	FR HD 4 x 9	32,4	106,3	3,4	3,7	5	16,4
	FR HD 4 x 11	38,9	127,6	4	4,4	4,7	15,4
	FR HD 4 x 12	44,8	147,0	4,3	4,7	3,5	11,5
FR HD 4 x 12,5	45,4	149,0	4,4	4,9	3,1	10,2	
5 parts	FR HD 5 x 9	40,1	131,6	4,1	4,5	5	16,4
	FR HD 5 x 10	45,4	149,0	4,4	4,9	5	16,4
	FR HD 5 x 11	48,5	159,1	4,8	5,3	4,7	15,4
	FR HD 5 x 12	54,8	179,8	5,2	5,7	3,5	11,5
	FR HD 5 x 12,5	56,9	186,7	5,4	6,0	3,1	10,2

Max extension version

Drilling Depths

	section x m	m	ft	m	ft	m	ft
FR HD	4 x 13	48,2	158,1	4,6	5,1	2,4	7,9
FR HD	5 x 13	60,2	197,5	5,5	6,1	2,4	7,9

LHR version

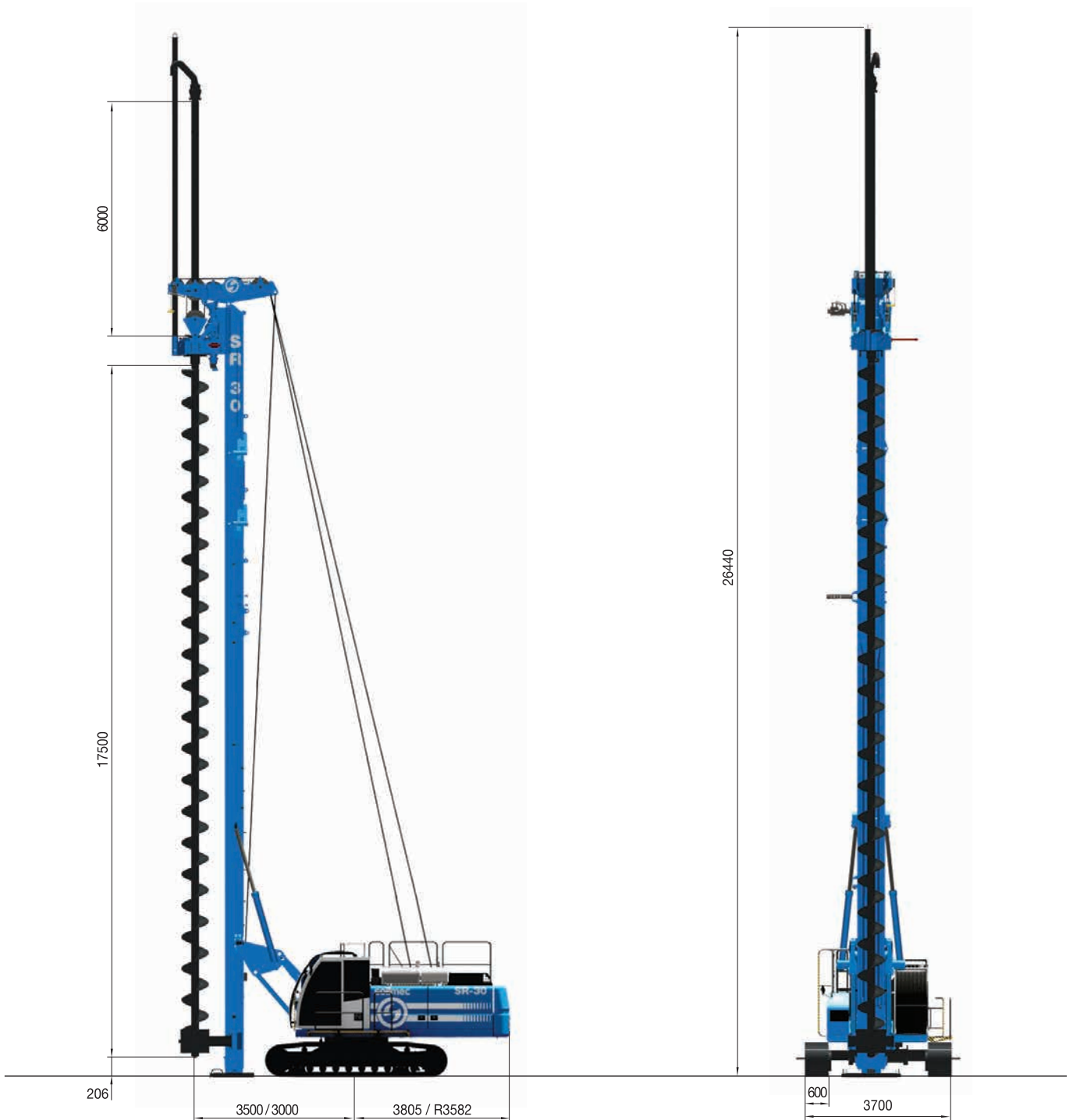
Drilling Depths

	section x m	m	ft	m	ft	m	ft
BL HD	4 x 4	13,8	45,3	1,9	2,1	1,6	5,2
BL HD	4 x 5,5*	19,1	62,7	2,3	2,5	1,6	5,2
BL HD	5 x 4	16,8	55,1	3,2	3,5	1,6	5,2
BL HD	5 x 5,5*	23,3	76,4	2,8	3,1	1,6	5,2

* c/w 1,3m mast extension

SR-30 EVO Hydraulic Rotary Rig

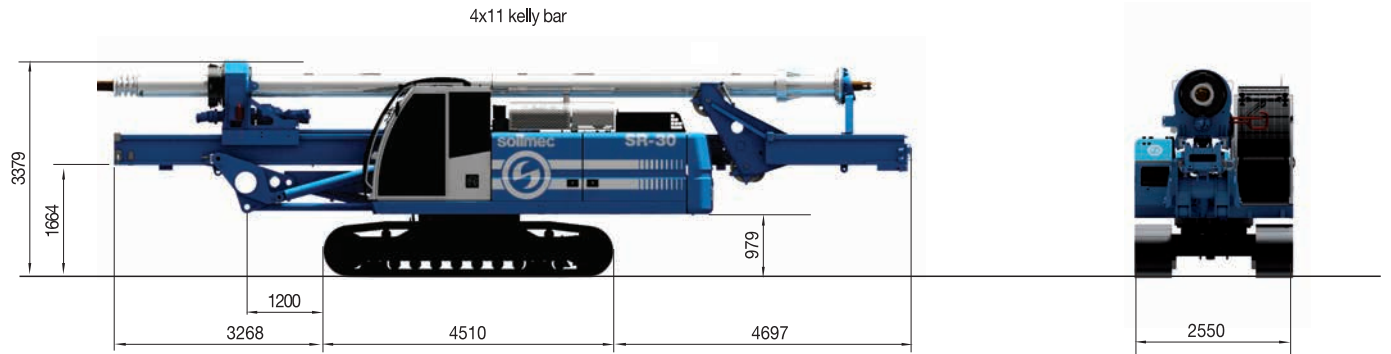
CFA APPLICATIONS



CFA - Continuous Flight Auger	4° Line pull		Special version	
	Operating weight w/o auger	35000 kg	77161 lb	37200 kg
Max pile diameter	900 mm	35.5 in	900 mm	35.5 in
Max pile depth with star auger cleaner c/w 6 m auger extension	19 m	62 ft	23 m	75.5 ft
Max pile depth with double roller auger cleaner c/w 6 m auger extension	17,5 m	57 ft	21,5 m	70.5 ft
Extraction force	380 kN	85426 lbf	380 kN	85426 lbf
Crowd force on auger (optional)	100 kN	22481 lbf	100 kN	22481 lbf

SR-30 EVO Hydraulic Rotary Rig

TRANSPORT, DIMENSIONS AND WEIGHTS



All technical data are purely indicative and subject to change without notice

Technical data sheet SR30-006 EVO 05/2017

Transport configuration		
Width	2550 mm	100.39 in
Length c/w 4x9m kelly	12430 mm	490640 in
Height c/w 4x9m kelly	3379 mm	133 in
Weight c/w 4x9m kelly	35500 kg	78263 lb

This brochure has been edited and distributed by SOILMEC Spa. The present document cancels and override any previous ones. This brochure may not be distributed, reproduced or exhibited without SOILMEC Spa. authorization in according to SOILMEC web site disclaimer condition.

SOILMEC Spa distributes machinery and structures all over the world, supported by SOILMEC Spa subsidiary companies and dealers. The complete Soilmec network list is available on the webpage www.soilmec.it